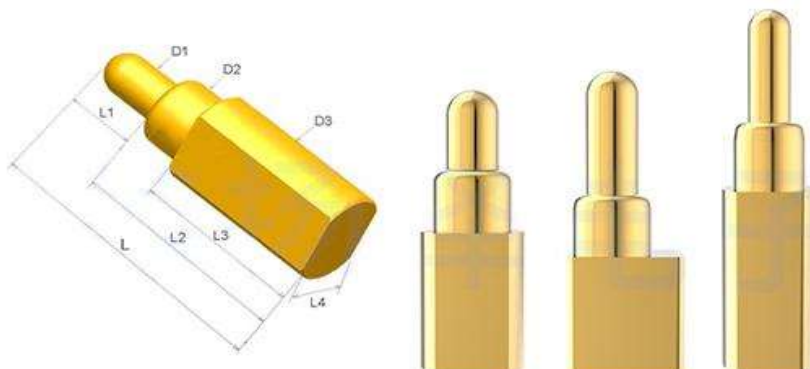


Cnomax Technology Co., Limited

www.pogopinconnector.com

E-mail: sales@cnomax.com



Side Solder Pogo pin Catalogue

P/N	D1	D2	D3	L1	L2	L3	L4	L	Remark
CN110615028F	1.00	0.00	1.50	0.80	2.00	0.00	0.00	2.80	Current: 1A;Force: 120g
CN117312033F	0.80	1.20	1.60	1.00	0.50	1.80	1.20	3.30	Current: 1A;Force: 60g
CNF 0009-15040	0.90	1.50	2.00	1.00	3.00	2.00	1.50	4.00	Current: 1A;Force: 30g
CNF 0021-15040	1.00	1.50	2.00	1.00	3.00	2.00	1.50	4.00	Current: 1A;Force: 30g
CN12615045F	0.90	1.50	2.00	1.50	3.00	2.00	1.50	4.50	Current: 2A;Force: 100g
CN70812045F	0.80	1.20	1.60	1.30	3.20	2.20	1.20	4.50	Current: 1A;Force: 140g
CN47112060F	0.80	1.20	1.60	1.50	4.50	3.50	1.20	6.00	Current: 1A;Force: 120g
CN00715060F	0.90	1.50	2.00	1.50	4.50	3.50	1.50	6.00	Current: 1A;Force: 120g
CN182115060F	1.00	1.50	2.10	2.50	3.50	2.30	1.52	6.00	Current: 1A;Force: 50g
CNF 0032-16065	0.80	1.20	1.60	2.00	4.50	3.50	1.20	6.50	Current: 1A;Force: 120g
CN158115070F	1.00	1.50	2.00	2.50	4.50	3.50	1.50	7.00	Current: 1A;Force: 120g
CNF 0027-21070	0.90	1.50	2.10	2.00	5.00	2.30	1.52	7.00	Current: 4A;Force: 70g
CNF 0023-30075	0.90	1.50	3.00	2.50	5.00	3.30	1.85	7.50	Current: 5A;Force: 100g
CNF 0002-38080	2.00	3.00	3.80	3.50	4.50	3.80	3.00	8.00	Current: 5A;Force: 400g
CNF 0031-20085	0.90	1.50	2.00	2.00	6.50	5.50	1.50	8.50	Current: 1A;Force: 40g
CN210820160F	1.40	2.25	3.50	3.00	1.00	12.00	2.00	16.00	Current: 1A;Force: 180g

If we don't have the size what you need, please provide your design drawing to us, we can customize it for you also if you need more details Pogo pin data sheet. you can send me E-mail : sales@cnomax.com
Or you can download our all kinds of Pogo pin catalogue for REF.thank you