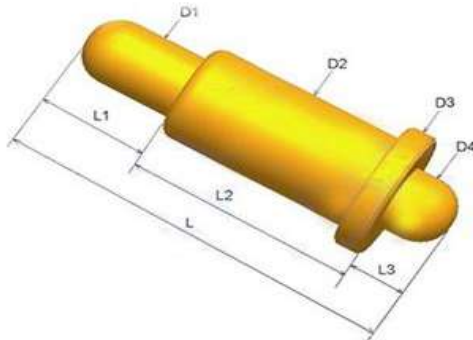


Cnomax Technology Co., Limited

www.pogopinconnector.com

E-mail: sales@cnomax.com



Double end Pogo pin Catalogue

P/N	D1	D2	D3	D4	L1	L2	L3	L	Remark
CN03015035D	1.00	1.50	2.00	1.00	0.70	2.30	0.50	3.50	current: 1A;Force: 130g
CN03115040D	1.00	1.50	2.00	1.00	1.00	2.30	0.70	4.00	current: 1A;Force: 100g
CN125215040D	1.00	1.50	2.00	1.00	1.00	2.30	0.70	4.00	current: 1A;Force: 30g
CN117115040D	1.00	1.50	2.00	1.00	1.00	2.30	0.70	4.00	current: 1A;Force: 100g
CN05815042D	1.00	1.50	2.00	1.00	1.20	2.30	0.70	4.20	current: 1A;Force: 80g
CN21115044D	1.00	1.50	2.00	1.00	1.10	2.50	0.80	4.40	current: 1A;Force: 90g
CN03215045D	1.00	1.50	2.00	1.00	1.00	2.80	0.70	4.50	current: 1A;Force: 120g
CN100415048D	1.00	1.50	2.00	1.00	1.00	3.00	0.80	4.80	current: 1A;Force: 100g
CN99515054D	0.90	1.50	/	0.90	1.30	3.30	0.80	5.40	current: 1A;Force: 100g
CN09015060D	1.00	1.50	2.00	1.00	1.50	3.50	1.00	6.00	current: 1A;Force: 120g
CN03515060D	0.90	1.50	2.00	0.90	1.00	4.00	1.00	6.00	current: 1A;Force: 110g
CN D 0011-20064	1.00	1.50	2.00	1.00	1.20	4.00	1.20	6.40	current: 2A;Force: 70g
CN182615065D	1.00	1.50	2.00	1.00	1.50	4.00	1.00	6.50	current: 1A;Force: 40g
CN D 0006-15065	0.90	1.50	2.00	0.90	1.00	4.50	1.00	6.50	current: 1A;Force: 30g
CN146915069D	0.90	1.50	2.00	0.90	1.20	4.50	1.20	6.90	current: 1A;Force: 100g
CN68332070D	1.90	3.08	/	0.90	2.30	4.00	0.70	7.00	current: 1A;Force: 180g
CN220015072D	0.90	1.50	1.80	0.90	1.50	5.00	0.70	7.20	current: 1A;Force: 100g
CN28915075D	0.90	1.50	2.00	0.90	1.50	4.50	1.50	7.50	current: 1A;Force: 120g
CN56515080D	0.90	1.50	2.00	0.90	2.00	5.00	1.00	8.00	current: 1A;Force: 140g
CN122915085D	0.90	1.50	/	0.90	1.00	6.50	1.00	8.50	current: 1A;Force: 100g
CN D 0021-20085	1.00	1.50	2.00	0.90	2.00	5.00	1.50	8.50	current: 1A;Force: 25g
CN04015085D	0.90	1.50	2.00	0.90	3.00	4.50	1.00	8.50	current: 1A;Force: 120g
CN108125090D	1.80	2.50	3.50	1.80	2.00	5.00	2.00	9.00	current: 1A;Force: 80g
CN149715100D	0.90	1.50	2.00	0.90	2.00	6.00	2.00	10.00	current: 1A;Force: 60g
CN40918100D	1.10	1.80	/	1.10	2.00	6.00	2.00	10.00	current: 1A;Force: 130g
CN154018110D	1.10	1.80	/	1.10	2.50	6.00	2.50	11.00	current: 1A;Force: 60g
CN D 0030-20115	0.90	1.50	2.00	0.90	1.00	9.60	0.90	11.50	current: 1.5A;Force: 80g
CN86115115D	0.90	1.50	2.00	0.90	2.00	7.50	2.00	11.50	current: 1A;Force: 100g
CN60615150D	0.90	1.50	2.00	0.90	2.50	10.50	2.00	15.00	current: 1A;Force: 100g
CN67720160D	1.20	2.00	2.50	1.20	2.00	12.00	2.00	16.00	current: 1A;Force: 250g
CN31220161D	1.20	2.00	3.00	1.20	3.60	8.90	3.60	16.10	current: 1A;Force: 120g
CN45215165D	0.90	1.50	2.00	0.90	3.50	11.15	2.00	16.65	current: 1A;Force: 150g
CN221820180D	1.20	2.00	2.50	1.20	2.50	13.50	2.00	18.00	current: 1A;Force: 60g

If we don't have the size what you need, please provide your design drawing to us, we can customize it for you also if you need more details Pogo pin data sheet. you can send me E-mail : sales@cnomax.com
Or you can download our all kinds of Pogo pin catalog for REF.thank you