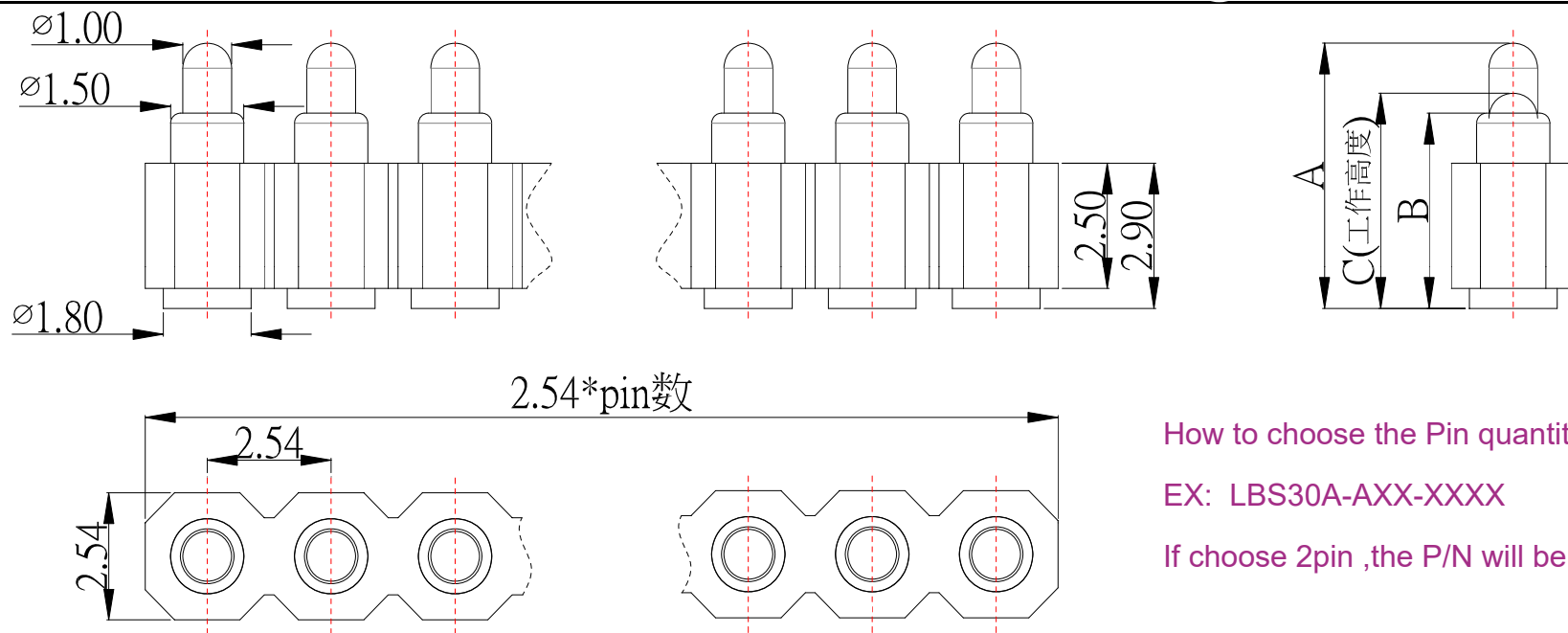


Cnomax Pogo pin Connector Standard Series Catalogue---Single Row(SMT)



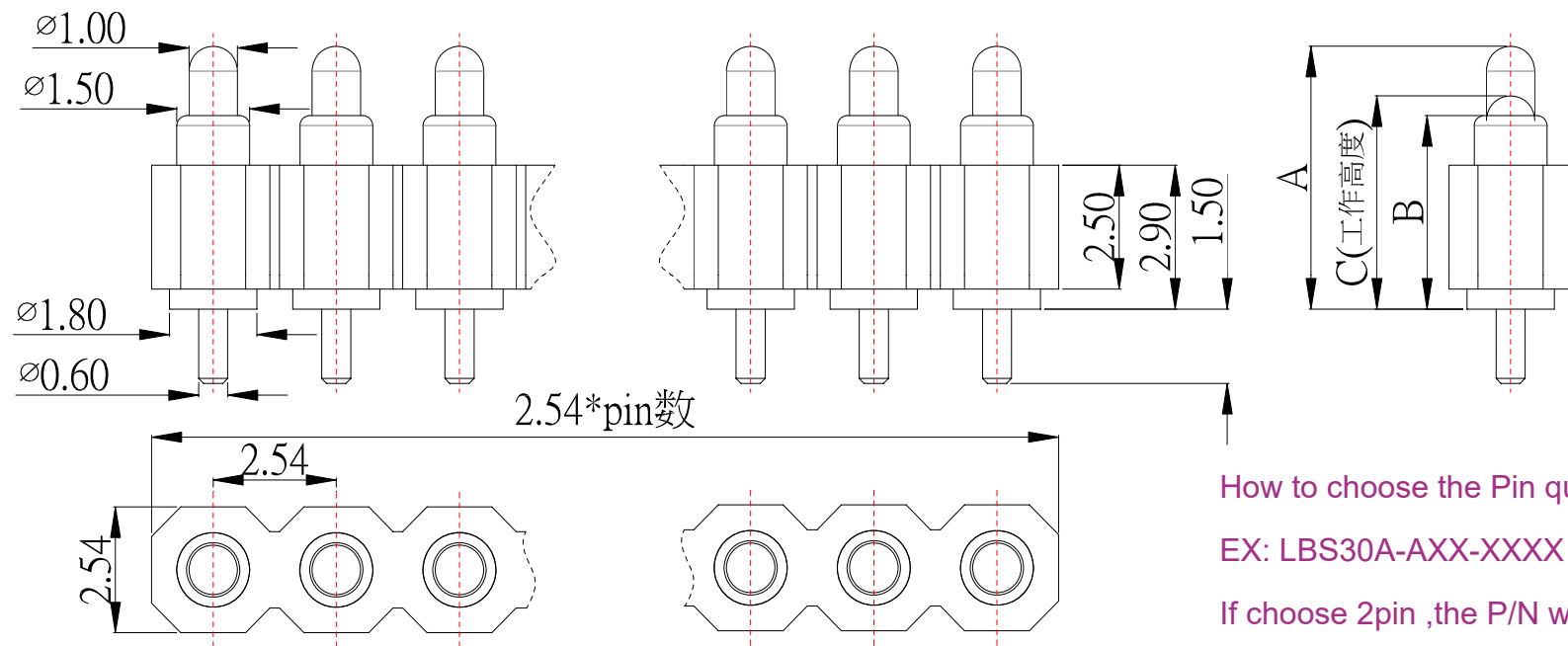
How to choose the Pin quantity ?

EX: LBS30A-AXX-XXXX

If choose 2pin ,the P/N will be LBS30A-A02

产品系列	产品料号(P/N)	管身高度(B)	产品高度(A)	工作高度(C)	工作弹力(g)	工作电流(A)	产品pin数
LBS30X-AXX-XXXX	LBS30A-AXX-XXXX	3.0	3.8	3.0	80g	1.0A	01~20
	LBS30C-AXX-XXXX	3.0	4.2	3.4	80g	1.0A	01~20
	LBS30E-AXX-XXXX	3.0	4.6	3.8	80g	1.0A	01~20
LBS35X-AXX-XXXX	LBS35A-AXX-XXXX	3.5	4.5	3.7	80g	3.0A	01~20
	LBS35C-AXX-XXXX	3.5	4.9	4.1	80g	3.0A	01~20
	LBS35F-AXX-XXXX	3.5	5.5	4.7	80g	3.0A	01~20
	LBS35H-AXX-XXXX	3.5	5.9	5.1	80g	3.0A	01~20
LBS40X-AXX-XXXX	LBS40A-AXX-XXXX	4.0	5.0	4.0	80g	3.0A	01~20
	LBS40C-AXX-XXXX	4.0	5.4	4.4	80g	3.0A	01~20
	LBS40F-AXX-XXXX	4.0	6.0	5.0	80g	3.0A	01~20
	LBS40I-AXX-XXXX	4.0	6.6	5.6	80g	3.0A	01~20
LBS45X-AXX-XXXX	LBS45B-AXX-XXXX	4.5	5.7	4.7	80g	3.0A	01~20
	LBS45E-AXX-XXXX	4.5	6.3	5.3	80g	3.0A	01~20
	LBS45G-AXX-XXXX	4.5	6.7	5.7	80g	3.0A	01~20
	LBS45I-AXX-XXXX	4.5	7.1	6.1	80g	3.0A	01~20
LBS50X-AXX-XXXX	LBS50B-AXX-XXXX	5.0	6.2	5.2	80g	3.0A	01~20
	LBS50D-AXX-XXXX	5.0	6.6	5.6	80g	3.0A	01~20
	LBS50F-AXX-XXXX	5.0	7.0	6.0	80g	3.0A	01~20
	LBS50I-AXX-XXXX	5.0	7.6	6.6	80g	3.0A	01~20
LBS55X-AXX-XXXX	LBS55A-AXX-XXXX	5.5	7.3	6.1	80g	3.0A	01~20
	LBS55C-AXX-XXXX	5.5	7.7	6.5	80g	3.0A	01~20
	LBS55E-AXX-XXXX	5.5	8.1	6.9	80g	3.0A	01~20
	LBS55G-AXX-XXXX	5.5	8.5	7.3	80g	3.0A	01~20
LBS60X-AXX-XXXX	LBS60B-AXX-XXXX	6.0	8.0	6.8	80g	3.0A	01~20
	LBS60E-AXX-XXXX	6.0	8.6	7.4	80g	3.0A	01~20
	LBS60G-AXX-XXXX	6.0	9.0	7.8	80g	3.0A	01~20
	LBS60I-AXX-XXXX	6.0	9.4	8.2	80g	3.0A	01~20
LBS65X-AXX-XXXX	LBS65A-AXX-XXXX	6.5	8.7	7.5	80g	3.0A	01~20
	LBS65E-AXX-XXXX	6.5	9.5	8.3	80g	3.0A	01~20
	LBS65G-AXX-XXXX	6.5	9.9	8.7	80g	3.0A	01~20
	LBS65I-AXX-XXXX	6.5	10.3	9.1	80g	3.0A	01~20
LBS70X-AXX-XXXX	LBS70C-AXX-XXXX	7.0	9.6	8.4	80g	3.0A	01~20
	LBS70E-AXX-XXXX	7.0	10.0	8.8	80g	3.0A	01~20
	LBS70G-AXX-XXXX	7.0	10.4	9.2	80g	3.0A	01~20
	LBS70I-AXX-XXXX	7.0	10.8	9.6	80g	3.0A	01~20

Cnomax Pogo pin Connector Standard Series Catalogue---Single Row(DIP)



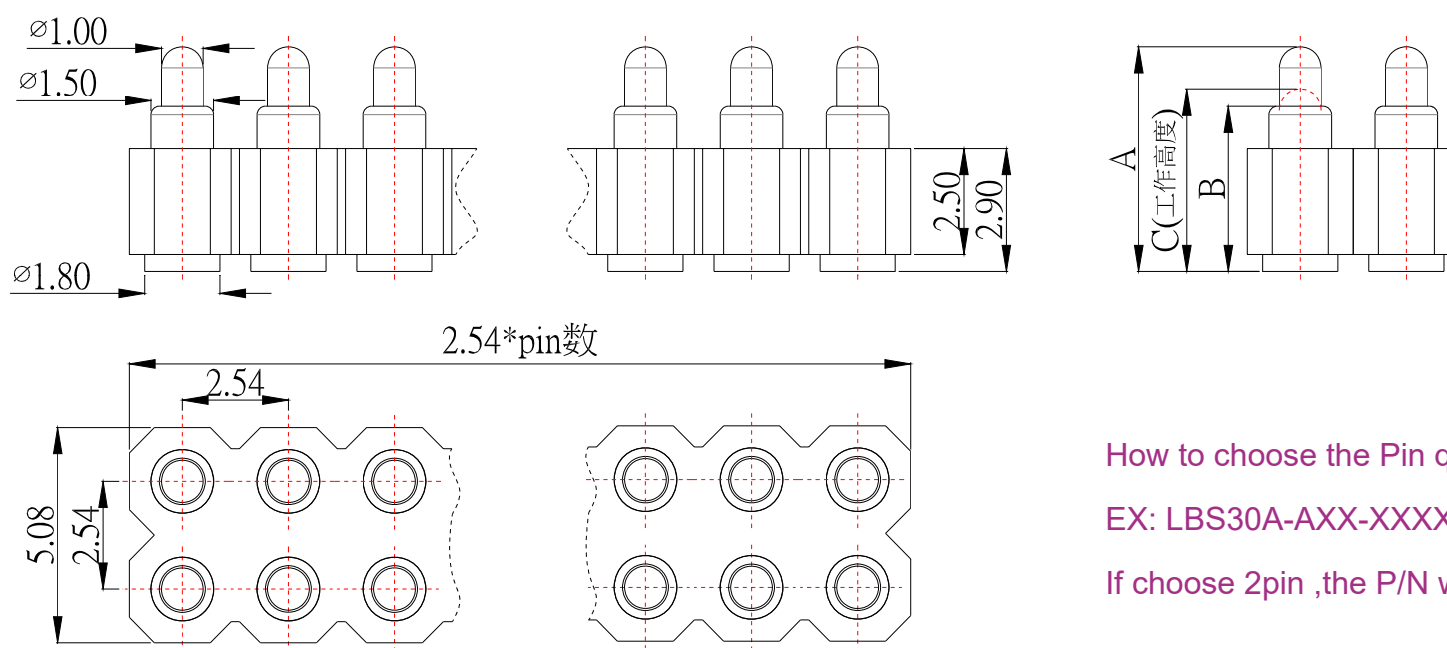
How to choose the Pin quantity ?

EX: LBS30A-AXX-XXXX

If choose 2pin ,the P/N will be LBS30A-A02

产品系列	产品料号(P/N)	管身高度(B)	产品高度(A)	工作高度(C)	工作弹力(g)	工作电流(g)	产品pin数
LBD30X-AXX-XXXX	LBD30A-AXX-XXXX	3.0	3.8	3.0	80g	1.0A	01~20
	LBD30C-AXX-XXXX	3.0	4.2	3.4	80g	1.0A	01~20
	LBD30E-AXX-XXXX	3.0	4.6	3.8	80g	1.0A	01~20
LBD35X-AXX-XXXX	LBD35A-AXX-XXXX	3.5	4.5	3.7	80g	3.0A	01~20
	LBD35C-AXX-XXXX	3.5	4.9	4.1	80g	3.0A	01~20
	LBD35F-AXX-XXXX	3.5	5.5	4.7	80g	3.0A	01~20
	LBD35H-AXX-XXXX	3.5	5.9	5.1	80g	3.0A	01~20
LBD40X-AXX-XXXX	LBD40A-AXX-XXXX	4.0	5.0	4.0	80g	3.0A	01~20
	LBD40C-AXX-XXXX	4.0	5.4	4.4	80g	3.0A	01~20
	LBD40F-AXX-XXXX	4.0	6.0	5.0	80g	3.0A	01~20
	LBD40I-AXX-XXXX	4.0	6.6	5.6	80g	3.0A	01~20
LBD45X-AXX-XXXX	LBD45B-AXX-XXXX	4.5	5.7	4.7	80g	3.0A	01~20
	LBD45E-AXX-XXXX	4.5	6.3	5.3	80g	3.0A	01~20
	LBD45G-AXX-XXXX	4.5	6.7	5.7	80g	3.0A	01~20
	LBD45I-AXX-XXXX	4.5	7.1	6.1	80g	3.0A	01~20
LBD50X-AXX-XXXX	LBD50B-AXX-XXXX	5.0	6.2	5.2	80g	3.0A	01~20
	LBD50D-AXX-XXXX	5.0	6.6	5.6	80g	3.0A	01~20
	LBD50F-AXX-XXXX	5.0	7.0	6.0	80g	3.0A	01~20
	LBD50I-AXX-XXXX	5.0	7.6	6.6	80g	3.0A	01~20
LBD55X-AXX-XXXX	LBD55A-AXX-XXXX	5.5	7.3	6.1	80g	3.0A	01~20
	LBD55C-AXX-XXXX	5.5	7.7	6.5	80g	3.0A	01~20
	LBD55E-AXX-XXXX	5.5	8.1	6.9	80g	3.0A	01~20
	LBD55G-AXX-XXXX	5.5	8.5	7.3	80g	3.0A	01~20
LBD60X-AXX-XXXX	LBD60B-AXX-XXXX	6.0	8.0	6.8	80g	3.0A	01~20
	LBD60E-AXX-XXXX	6.0	8.6	7.4	80g	3.0A	01~20
	LBD60G-AXX-XXXX	6.0	9.0	7.8	80g	3.0A	01~20
	LBD60I-AXX-XXXX	6.0	9.4	8.2	80g	3.0A	01~20
LBD65X-AXX-XXXX	LBD65A-AXX-XXXX	6.5	8.7	7.5	80g	3.0A	01~20
	LBD65E-AXX-XXXX	6.5	9.5	8.3	80g	3.0A	01~20
	LBD65G-AXX-XXXX	6.5	9.9	8.7	80g	3.0A	01~20
	LBD65I-AXX-XXXX	6.5	10.3	9.1	80g	3.0A	01~20
LBD70X-AXX-XXXX	LBD70C-AXX-XXXX	7.0	9.6	8.4	80g	3.0A	01~20
	LBD70E-AXX-XXXX	7.0	10.0	8.8	80g	3.0A	01~20
	LBD70G-AXX-XXXX	7.0	10.4	9.2	80g	3.0A	01~20
	LBD70I-AXX-XXXX	7.0	10.8	9.6	80g	3.0A	01~20

Cnomax Pogo pin Connector Standard Series Catalogue---Double Row(SMT)



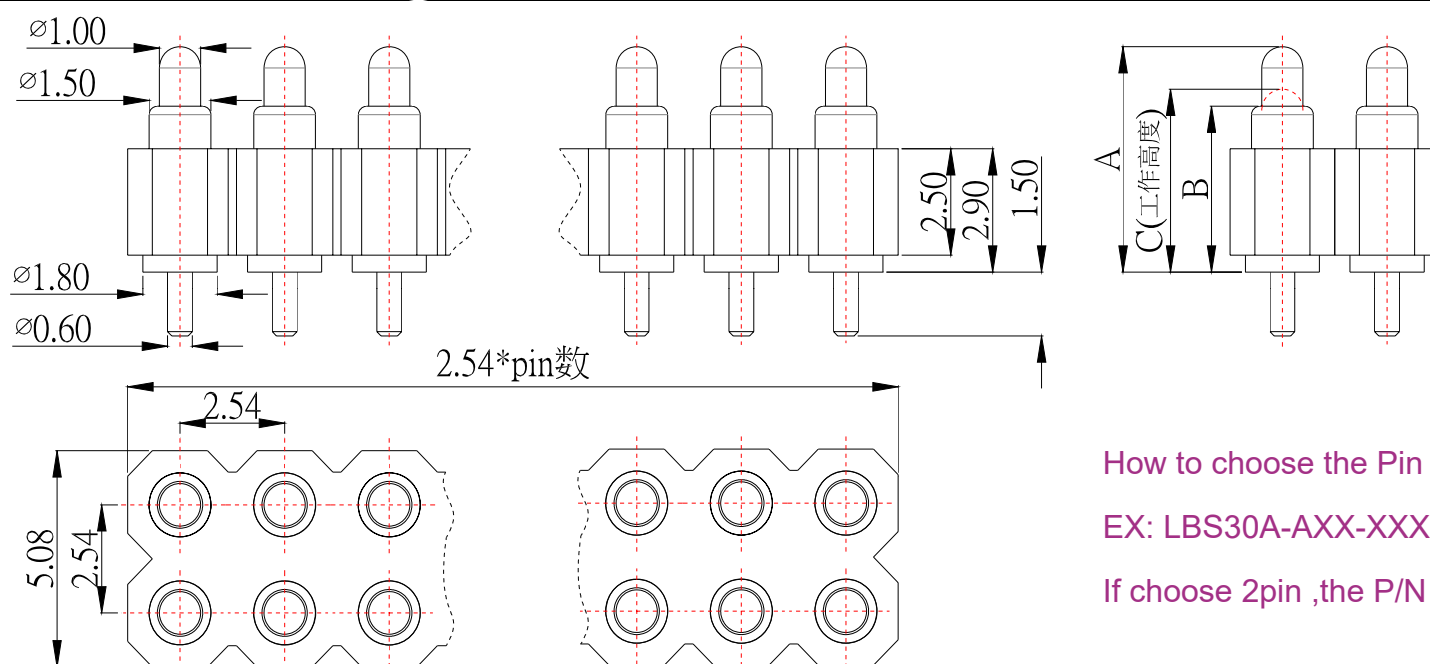
How to choose the Pin quantity ?

EX: LBS30A-AXX-XXXX

If choose 2pin ,the P/N will be LBS30A-A02

产品系列	产品料号(P/N)	管身高度(B)	产品高度(A)	工作高度(C)	工作弹力(g)	工作电流(A)	产品pin数
LBS30X-BXX-XXXX	LBS30A-BXX-XXXX	3.0	3.8	3.0	80g	1.0A	04~40
	LBS30C-BXX-XXXX		4.2	3.4			
	LBS30E-BXX-XXXX		4.6	3.8			
LBS35X-BXX-XXXX	LBS35A-BXX-XXXX	3.5	4.5	3.7	80g	3.0A	04~40
	LBS35C-BXX-XXXX	3.5	4.9	4.1	80g	3.0A	04~40
	LBS35F-BXX-XXXX	3.5	5.5	4.7	80g	3.0A	04~40
	LBS35H-BXX-XXXX	3.5	5.9	5.1	80g	3.0A	04~40
LBS40X-BXX-XXXX	LBS40A-BXX-XXXX	4.0	5.0	4.0	80g	3.0A	04~40
	LBS40C-BXX-XXXX	4.0	5.4	4.4	80g	3.0A	04~40
	LBS40F-BXX-XXXX	4.0	6.0	5.0	80g	3.0A	04~40
	LBS40I-BXX-XXXX	4.0	6.6	5.6	80g	3.0A	04~40
LBS45X-BXX-XXXX	LBS45B-BXX-XXXX	4.5	5.7	4.7	80g	3.0A	04~40
	LBS45E-BXX-XXXX	4.5	6.3	5.3	80g	3.0A	04~40
	LBS45G-BXX-XXXX	4.5	6.7	5.7	80g	3.0A	04~40
	LBS45I-BXX-XXXX	4.5	7.1	6.1	80g	3.0A	04~40
LBS50X-BXX-XXXX	LBS50B-BXX-XXXX	5.0	6.2	5.2	80g	3.0A	04~40
	LBS50D-BXX-XXXX	5.0	6.6	5.6	80g	3.0A	04~40
	LBS50F-BXX-XXXX	5.0	7.0	6.0	80g	3.0A	04~40
	LBS50I-BXX-XXXX	5.0	7.6	6.6	80g	3.0A	04~40
LBS55X-BXX-XXXX	LBS55A-BXX-XXXX	5.5	7.3	6.1	80g	3.0A	04~40
	LBS55C-BXX-XXXX	5.5	7.7	6.5	80g	3.0A	04~40
	LBS55E-BXX-XXXX	5.5	8.1	6.9	80g	3.0A	04~40
	LBS55G-BXX-XXXX	5.5	8.5	7.3	80g	3.0A	04~40
LBS60X-BXX-XXXX	LBS60B-BXX-XXXX	6.0	8.0	6.8	80g	3.0A	04~40
	LBS60E-BXX-XXXX	6.0	8.6	7.4	80g	3.0A	04~40
	LBS60G-BXX-XXXX	6.0	9.0	7.8	80g	3.0A	04~40
	LBS60I-BXX-XXXX	6.0	9.4	8.2	80g	3.0A	04~40
LBS65X-BXX-XXXX	LBS65A-BXX-XXXX	6.5	8.7	7.5	80g	3.0A	04~40
	LBS65E-BXX-XXXX	6.5	9.5	8.3	80g	3.0A	04~40
	LBS65G-BXX-XXXX	6.5	9.9	8.7	80g	3.0A	04~40
	LBS65I-BXX-XXXX	6.5	10.3	9.1	80g	3.0A	04~40
LBS70X-BXX-XXXX	LBS70C-BXX-XXXX	7.0	9.6	8.4	80g	3.0A	04~40
	LBS70E-BXX-XXXX	7.0	10.0	8.8	80g	3.0A	04~40
	LBS70G-BXX-XXXX	7.0	10.4	9.2	80g	3.0A	04~40
	LBS70I-BXX-XXXX	7.0	10.8	9.6	80g	3.0A	04~40

Cnomax Pogo pin Connector Standard Series Catalogue---Double Row(DIP)



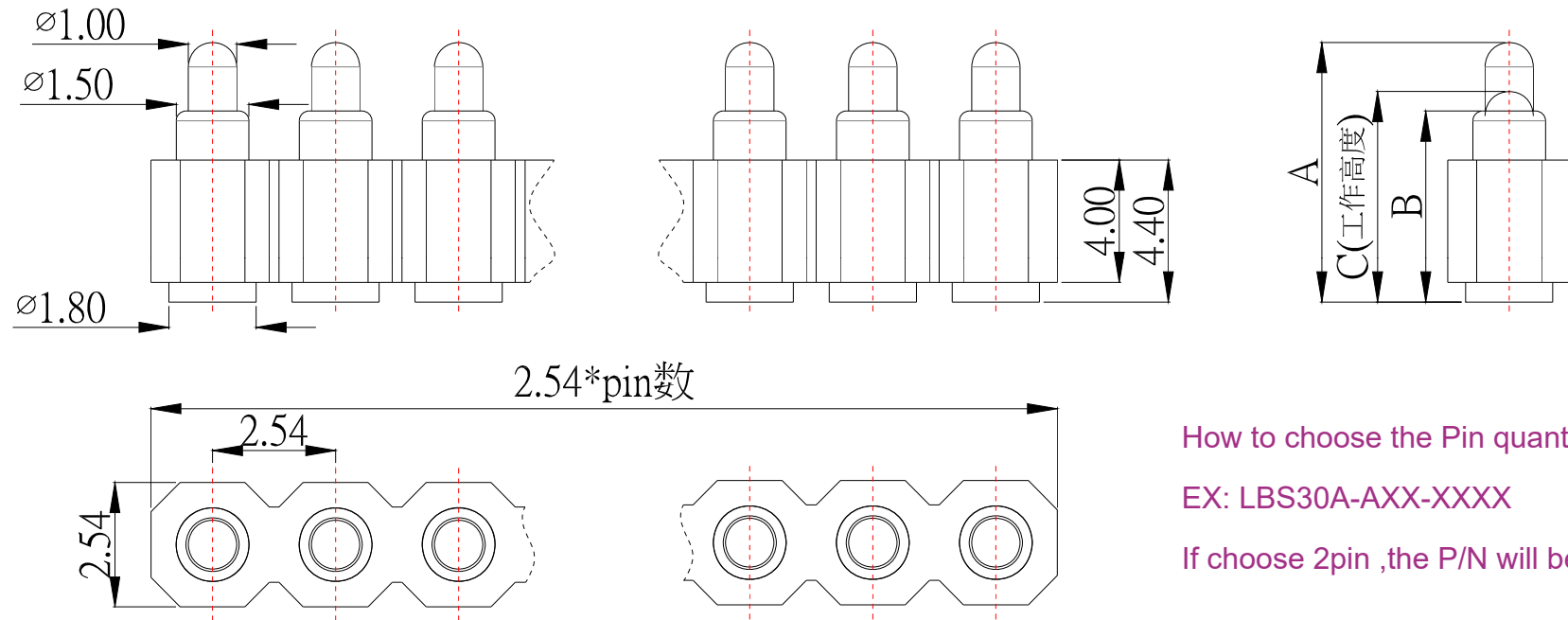
How to choose the Pin quantity ?

EX: LBS30A-AXX-XXXX

If choose 2pin ,the P/N will be LBS30A-A02

产品系列	产品料号 (P/N)	管身高度 (B)	产品高度 (A)	工作高度 (C)	工作弹力(g)	工作电流(A)	产品pin数
LBD30X-BXX-XXXX	LBD30A-BXX-XXXX	3.0	3.8	3.0	80g	1.0A	04~40
	LBD30C-BXX-XXXX	3.0	4.2	3.4	80g	1.0A	04~40
	LBD30E-BXX-XXXX	3.0	4.6	3.8	80g	1.0A	04~40
LBD35X-BXX-XXXX	LBD35A-BXX-XXXX	3.5	4.5	3.7	80g	3.0A	04~40
	LBD35C-BXX-XXXX	3.5	4.9	4.1	80g	3.0A	04~40
	LBD35F-BXX-XXXX	3.5	5.5	4.7	80g	3.0A	04~40
	LBD35H-BXX-XXXX	3.5	5.9	5.1	80g	3.0A	04~40
LBD40X-BXX-XXXX	LBD40A-BXX-XXXX	4.0	5.0	4.0	80g	3.0A	04~40
	LBD40C-BXX-XXXX	4.0	5.4	4.4	80g	3.0A	04~40
	LBD40F-BXX-XXXX	4.0	6.0	5.0	80g	3.0A	04~40
	LBD40I-BXX-XXXX	4.0	6.6	5.6	80g	3.0A	04~40
LBD45X-BXX-XXXX	LBD45B-BXX-XXXX	4.5	5.7	4.7	80g	3.0A	04~40
	LBD45E-BXX-XXXX	4.5	6.3	5.3	80g	3.0A	04~40
	LBD45G-BXX-XXXX	4.5	6.7	5.7	80g	3.0A	04~40
	LBD45I-BXX-XXXX	4.5	7.1	6.1	80g	3.0A	04~40
LBD50X-BXX-XXXX	LBD50B-BXX-XXXX	5.0	6.2	5.2	80g	3.0A	04~40
	LBD50D-BXX-XXXX	5.0	6.6	5.6	80g	3.0A	04~40
	LBD50F-BXX-XXXX	5.0	7.0	6.0	80g	3.0A	04~40
	LBD50I-BXX-XXXX	5.0	7.6	6.6	80g	3.0A	04~40
LBD55X-BXX-XXXX	LBD55A-BXX-XXXX	5.5	7.3	6.1	80g	3.0A	04~40
	LBD55C-BXX-XXXX	5.5	7.7	6.5	80g	3.0A	04~40
	LBD55E-BXX-XXXX	5.5	8.1	6.9	80g	3.0A	04~40
	LBD55G-BXX-XXXX	5.5	8.5	7.3	80g	3.0A	04~40
LBD60X-BXX-XXXX	LBD60B-BXX-XXXX	6.0	8.0	6.8	80g	3.0A	04~40
	LBD60E-BXX-XXXX	6.0	8.6	7.4	80g	3.0A	04~40
	LBD60G-BXX-XXXX	6.0	9.0	7.8	80g	3.0A	04~40
	LBD60I-BXX-XXXX	6.0	9.4	8.2	80g	3.0A	04~40
LBD65X-BXX-XXXX	LBD65A-BXX-XXXX	6.5	8.7	7.5	80g	3.0A	04~40
	LBD65E-BXX-XXXX	6.5	9.5	8.3	80g	3.0A	04~40
	LBD65G-BXX-XXXX	6.5	9.9	8.7	80g	3.0A	04~40
	LBD65I-BXX-XXXX	6.5	10.3	9.1	80g	3.0A	04~40
LBD70X-BXX-XXXX	LBD70C-BXX-XXXX	7.0	9.6	8.4	80g	3.0A	04~40
	LBD70E-BXX-XXXX	7.0	10.0	8.8	80g	3.0A	04~40
	LBD70G-BXX-XXXX	7.0	10.4	9.2	80g	3.0A	04~40
	LBD70I-BXX-XXXX	7.0	10.8	9.6	80g	3.0A	04~40

Cnomax Pogo pin Connector Standard Series Catalogue---Sigle Row(SMT)-4.0mm Housing



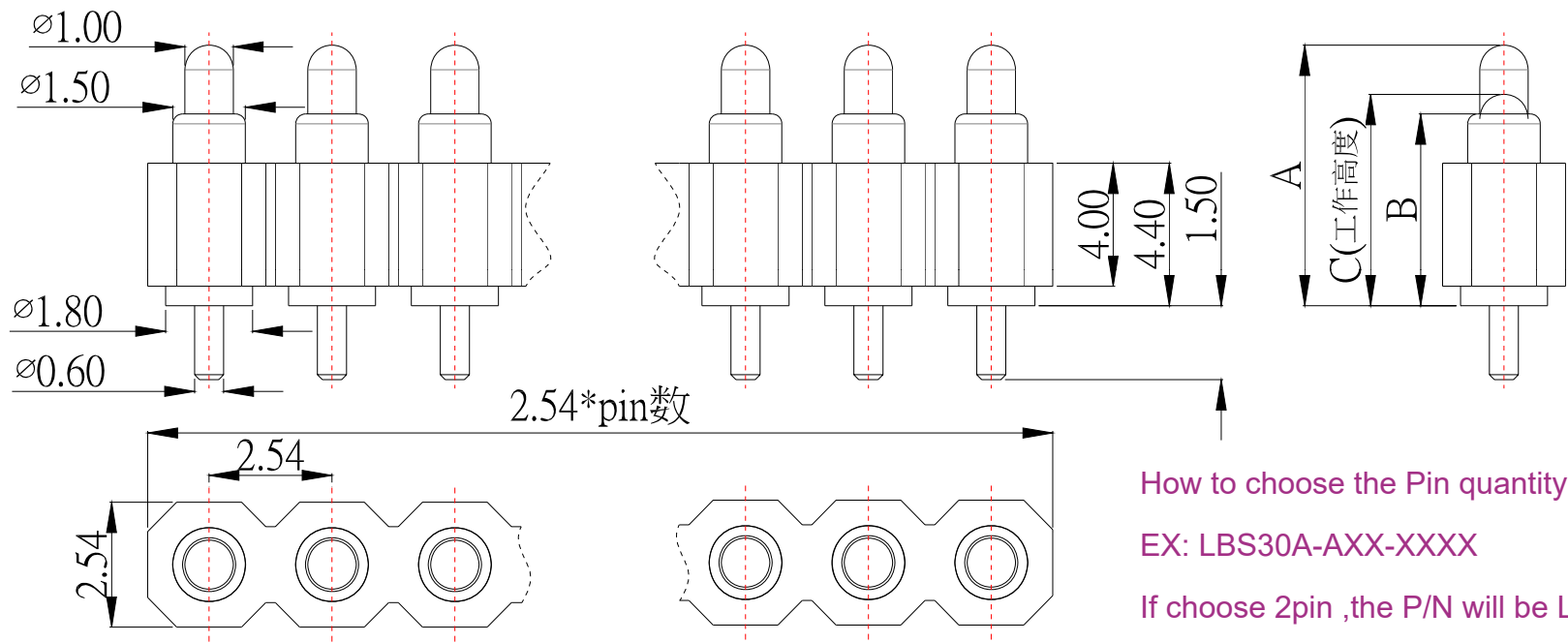
How to choose the Pin quantity ?

EX: LBS30A-AXX-XXXX

If choose 2pin ,the P/N will be LBS30A-A02

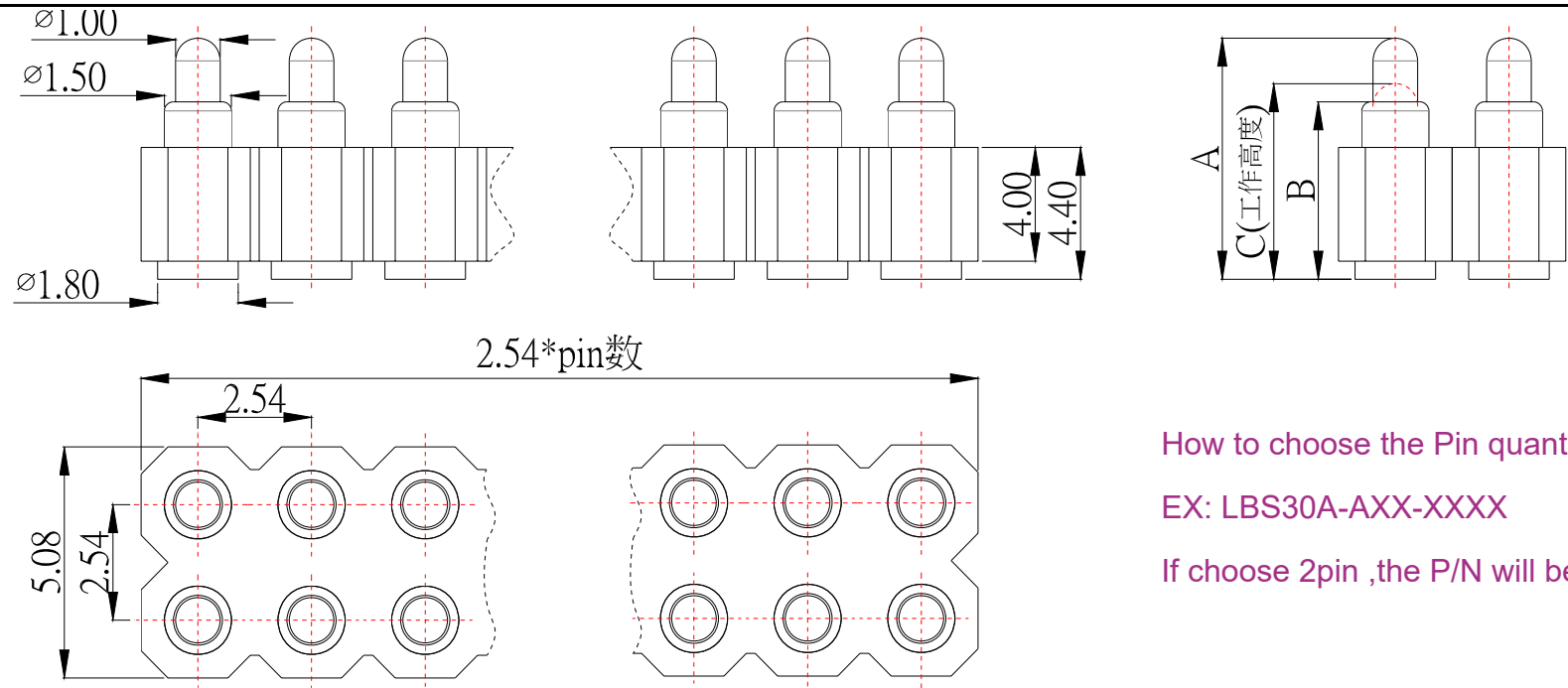
产品系列	产品料号(P/N)	管身高度(B)	产品高度(A)	工作高度(C)	工作弹力(g)	工作电流(A)	产品pin数
LBS40X-CXX-XXXX	LBS40A-CXX-XXXX	4.0	5.0	4.0	80g	3.0A	01~20
	LBS40C-CXX-XXXX	4.0	5.4	4.4	80g	3.0A	01~20
	LBS40F-CXX-XXXX	4.0	6.0	5.0	80g	3.0A	01~20
	LBS40I-CXX-XXXX	4.0	6.6	5.6	80g	3.0A	01~20
LBS45X-CXX-XXXX	LBS45B-CXX-XXXX	4.5	5.7	4.7	80g	3.0A	01~20
	LBS45E-CXX-XXXX	4.5	6.3	5.3	80g	3.0A	01~20
	LBS45G-CXX-XXXX	4.5	6.7	5.7	80g	3.0A	01~20
	LBS45I-CXX-XXXX	4.5	7.1	6.1	80g	3.0A	01~20
LBS50X-CXX-XXXX	LBS50B-CXX-XXXX	5.0	6.2	5.2	80g	3.0A	01~20
	LBS50D-CXX-XXXX	5.0	6.6	5.6	80g	3.0A	01~20
	LBS50F-CXX-XXXX	5.0	7.0	6.0	80g	3.0A	01~20
	LBS50I-CXX-XXXX	5.0	7.6	6.6	80g	3.0A	01~20
LBS55X-CXX-XXXX	LBS55A-CXX-XXXX	5.5	7.3	6.1	80g	3.0A	01~20
	LBS55C-CXX-XXXX	5.5	7.7	6.5	80g	3.0A	01~20
	LBS55E-CXX-XXXX	5.5	8.1	6.9	80g	3.0A	01~20
	LBS55G-CXX-XXXX	5.5	8.5	7.3	80g	3.0A	01~20
LBS60X-CXX-XXXX	LBS60B-CXX-XXXX	6.0	8.0	6.8	80g	3.0A	01~20
	LBS60E-CXX-XXXX	6.0	8.6	7.4	80g	3.0A	01~20
	LBS60G-CXX-XXXX	6.0	9.0	7.8	80g	3.0A	01~20
	LBS60I-CXX-XXXX	6.0	9.4	8.2	80g	3.0A	01~20
LBS65X-CXX-XXXX	LBS65A-CXX-XXXX	6.5	8.7	7.5	80g	3.0A	01~20
	LBS65E-CXX-XXXX	6.5	9.5	8.3	80g	3.0A	01~20
	LBS65G-CXX-XXXX	6.5	9.9	8.7	80g	3.0A	01~20
	LBS65I-CXX-XXXX	6.5	10.3	9.1	80g	3.0A	01~20
LBS70X-CXX-XXXX	LBS70C-CXX-XXXX	7.0	9.6	8.4	80g	3.0A	01~20
	LBS70E-CXX-XXXX	7.0	10.0	8.8	80g	3.0A	01~20
	LBS70G-CXX-XXXX	7.0	10.4	9.2	80g	3.0A	01~20
	LBS70I-CXX-XXXX	7.0	10.8	9.6	80g	3.0A	01~20

Cnomax Pogo pin Connector Standard Series Catalogue---Single Row(DIP)-4.0mm Housing



产品系列	产品料号(P/N)	管身高度(B)	产品高度(A)	工作高度(C)	工作弹力(g)	工作电流(A)	产品pin数
LBD40X-CXX-XXXX	LBD40A-CXX-XXXX	4.0	5.0	4.0	80g	3.0A	01~20
	LBD40C-CXX-XXXX	4.0	5.4	4.4	80g	3.0A	01~20
	LBD40F-CXX-XXXX	4.0	6.0	5.0	80g	3.0A	01~20
	LBD40I-CXX-XXXX	4.0	6.6	5.6	80g	3.0A	01~20
LBD45X-CXX-XXXX	LBD45B-CXX-XXXX	4.5	5.7	4.7	80g	3.0A	01~20
	LBD45E-CXX-XXXX	4.5	6.3	5.3	80g	3.0A	01~20
	LBD45G-CXX-XXXX	4.5	6.7	5.7	80g	3.0A	01~20
	LBD45I-CXX-XXXX	4.5	7.1	6.1	80g	3.0A	01~20
LBD50X-CXX-XXXX	LBD50B-CXX-XXXX	5.0	6.2	5.2	80g	3.0A	01~20
	LBD50D-CXX-XXXX	5.0	6.6	5.6	80g	3.0A	01~20
	LBD50F-CXX-XXXX	5.0	7.0	6.0	80g	3.0A	01~20
	LBD50I-CXX-XXXX	5.0	7.6	6.6	80g	3.0A	01~20
LBD55X-CXX-XXXX	LBD55A-CXX-XXXX	5.5	7.3	6.1	80g	3.0A	01~20
	LBD55C-CXX-XXXX	5.5	7.7	6.5	80g	3.0A	01~20
	LBD55E-CXX-XXXX	5.5	8.1	6.9	80g	3.0A	01~20
	LBD55G-CXX-XXXX	5.5	8.5	7.3	80g	3.0A	01~20
LBD60X-CXX-XXXX	LBD60B-CXX-XXXX	6.0	8.0	6.8	80g	3.0A	01~20
	LBD60E-CXX-XXXX	6.0	8.6	7.4	80g	3.0A	01~20
	LBD60G-CXX-XXXX	6.0	9.0	7.8	80g	3.0A	01~20
	LBD60I-CXX-XXXX	6.0	9.4	8.2	80g	3.0A	01~20
LBD65X-CXX-XXXX	LBD65A-CXX-XXXX	6.5	8.7	7.5	80g	3.0A	01~20
	LBD65E-CXX-XXXX	6.5	9.5	8.3	80g	3.0A	01~20
	LBD65G-CXX-XXXX	6.5	9.9	8.7	80g	3.0A	01~20
	LBD65I-CXX-XXXX	6.5	10.3	9.1	80g	3.0A	01~20
LBD70X-CXX-XXXX	LBD70C-CXX-XXXX	7.0	9.6	8.4	80g	3.0A	01~20
	LBD70E-CXX-XXXX	7.0	10.0	8.8	80g	3.0A	01~20
	LBD70G-CXX-XXXX	7.0	10.4	9.2	80g	3.0A	01~20
	LBD70I-CXX-XXXX	7.0	10.8	9.6	80g	3.0A	01~20

Cnomax Pogo pin Connector Standard Series Catalogue---Double Row(SMT)-4.0mm Housing



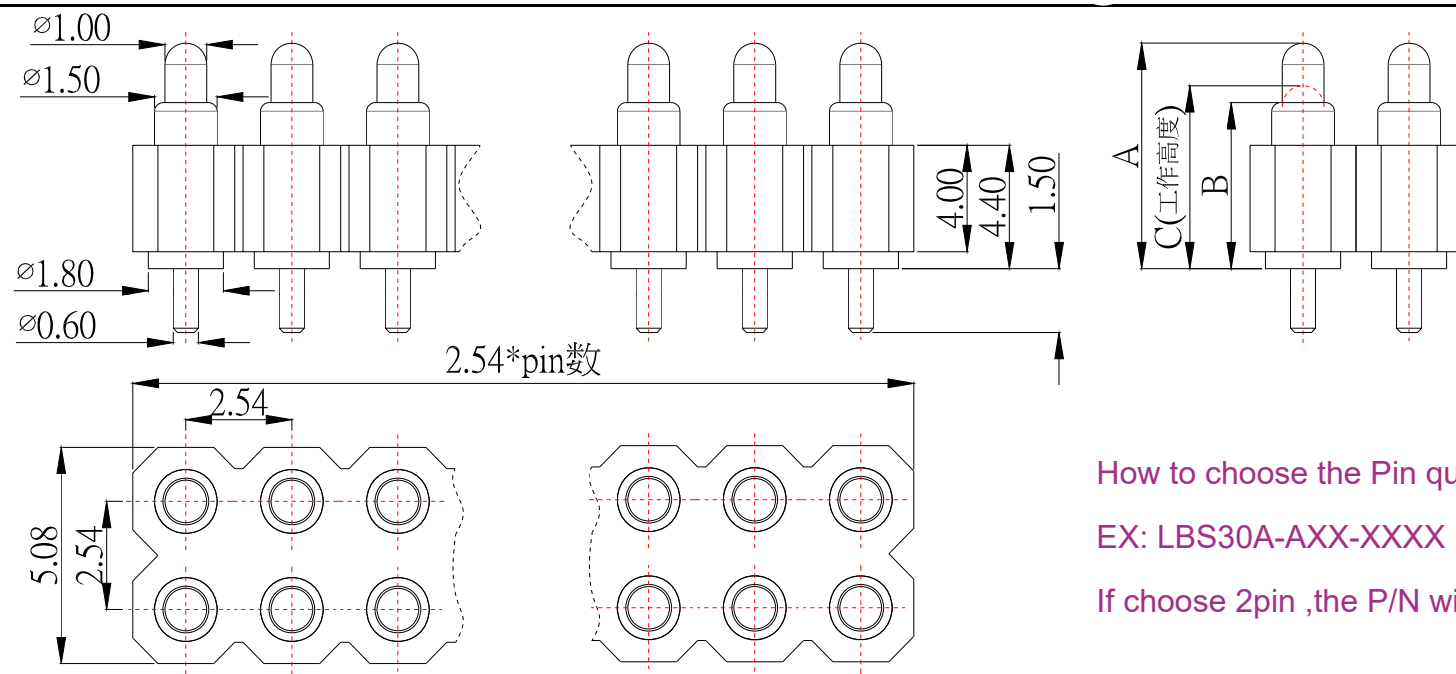
How to choose the Pin quantity ?

EX: LBS30A-AXX-XXXX

If choose 2pin ,the P/N will be LBS30A-A02

产品系列	产品料号(P/N)	管身高度(B)	产品高度(A)	工作高度(C)	工作弹力(g)	工作电流(A)	产品pin数
LBS40X-DXX-XXXX	LBS40A-DXX-XXXX	4.0	5.0	4.0	80g	3.0A	04~40
	LBS40C-DXX-XXXX	4.0	5.4	4.4	80g	3.0A	04~40
	LBS40F-DXX-XXXX	4.0	6.0	5.0	80g	3.0A	04~40
	LBS40I-DXX-XXXX	4.0	6.6	5.6	80g	3.0A	04~40
LBS45X-DXX-XXXX	LBS45B-DXX-XXXX	4.5	5.7	4.7	80g	3.0A	04~40
	LBS45E-DXX-XXXX	4.5	6.3	5.3	80g	3.0A	04~40
	LBS45G-DXX-XXXX	4.5	6.7	5.7	80g	3.0A	04~40
	LBS45I-DXX-XXXX	4.5	7.1	6.1	80g	3.0A	04~40
LBS50X-DXX-XXXX	LBS50B-DXX-XXXX	5.0	6.2	5.2	80g	3.0A	04~40
	LBS50D-DXX-XXXX	5.0	6.6	5.6	80g	3.0A	04~40
	LBS50F-DXX-XXXX	5.0	7.0	6.0	80g	3.0A	04~40
	LBS50I-DXX-XXXX	5.0	7.6	6.6	80g	3.0A	04~40
LBS55X-DXX-XXXX	LBS55A-DXX-XXXX	5.5	7.3	6.1	80g	3.0A	04~40
	LBS55C-DXX-XXXX	5.5	7.7	6.5	80g	3.0A	04~40
	LBS55E-DXX-XXXX	5.5	8.1	6.9	80g	3.0A	04~40
	LBS55G-DXX-XXXX	5.5	8.5	7.3	80g	3.0A	04~40
LBS60X-DXX-XXXX	LBS60B-DXX-XXXX	6.0	8.0	6.8	80g	3.0A	04~40
	LBS60E-DXX-XXXX	6.0	8.6	7.4	80g	3.0A	04~40
	LBS60G-DXX-XXXX	6.0	9.0	7.8	80g	3.0A	04~40
	LBS60I-DXX-XXXX	6.0	9.4	8.2	80g	3.0A	04~40
LBS65X-DXX-XXXX	LBS65A-DXX-XXXX	6.5	8.7	7.5	80g	3.0A	04~40
	LBS65E-DXX-XXXX	6.5	9.5	8.3	80g	3.0A	04~40
	LBS65G-DXX-XXXX	6.5	9.9	8.7	80g	3.0A	04~40
	LBS65I-DXX-XXXX	6.5	10.3	9.1	80g	3.0A	04~40
LBS70X-DXX-XXXX	LBS70C-DXX-XXXX	7.0	9.6	8.4	80g	3.0A	04~40
	LBS70E-DXX-XXXX	7.0	10.0	8.8	80g	3.0A	04~40
	LBS70G-DXX-XXXX	7.0	10.4	9.2	80g	3.0A	04~40
	LBS70I-DXX-XXXX	7.0	10.8	9.6	80g	3.0A	04~40

Cnomax Pogo pin Connector Standard Series Catalogue---Double Row(DIP)-4.0mm Housing



How to choose the Pin quantity ?

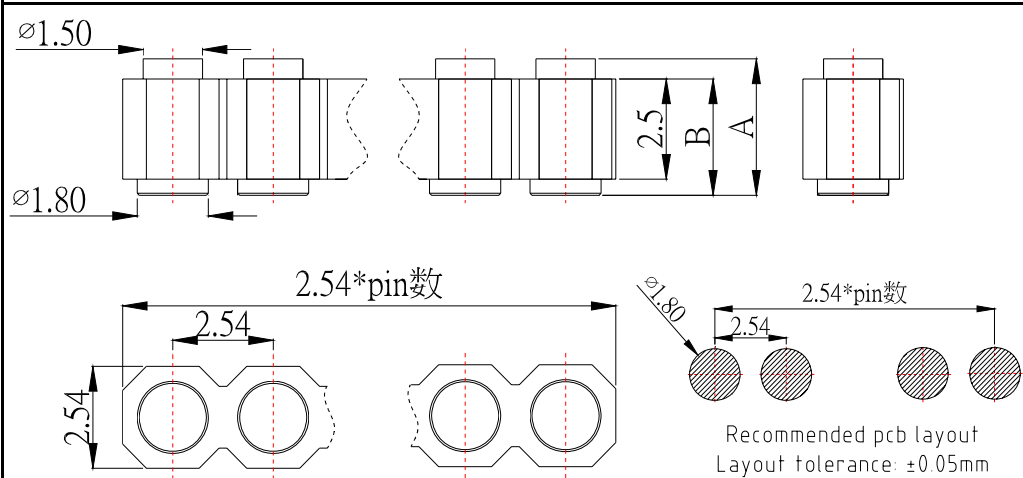
EX: LBS30A-AXX-XXXX

If choose 2pin ,the P/N will be LBS30A-A02

产品系列	产品料号 (P/N)	管身高度 (B)	产品高度 (A)	工作高度 (C)	工作弹力(g)	工作电流(A)	产品pin数
LBD40X-DXX-XXXX	LBD40A-DXX-XXXX	4.0	5.0	4.0	80g	3.0A	04~40
	LBD40C-DXX-XXXX	4.0	5.4	4.4	80g	3.0A	04~40
	LBD40F-DXX-XXXX	4.0	6.0	5.0	80g	3.0A	04~40
	LBD40I-DXX-XXXX	4.0	6.6	5.6	80g	3.0A	04~40
LBD45X-DXX-XXXX	LBD45B-DXX-XXXX	4.5	5.7	4.7	80g	3.0A	04~40
	LBD45E-DXX-XXXX	4.5	6.3	5.3	80g	3.0A	04~40
	LBD45G-DXX-XXXX	4.5	6.7	5.7	80g	3.0A	04~40
	LBD45I-DXX-XXXX	4.5	7.1	6.1	80g	3.0A	04~40
LBD50X-DXX-XXXX	LBD50B-DXX-XXXX	5.0	6.2	5.2	80g	3.0A	04~40
	LBD50D-DXX-XXXX	5.0	6.6	5.6	80g	3.0A	04~40
	LBD50F-DXX-XXXX	5.0	7.0	6.0	80g	3.0A	04~40
	LBD50I-DXX-XXXX	5.0	7.6	6.6	80g	3.0A	04~40
LBD55X-DXX-XXXX	LBD55A-DXX-XXXX	5.5	7.3	6.1	80g	3.0A	04~40
	LBD55C-DXX-XXXX	5.5	7.7	6.5	80g	3.0A	04~40
	LBD55E-DXX-XXXX	5.5	8.1	6.9	80g	3.0A	04~40
	LBD55G-DXX-XXXX	5.5	8.5	7.3	80g	3.0A	04~40
LBD60X-DXX-XXXX	LBD60B-DXX-XXXX	6.0	8.0	6.8	80g	3.0A	04~40
	LBD60E-DXX-XXXX	6.0	8.6	7.4	80g	3.0A	04~40
	LBD60G-DXX-XXXX	6.0	9.0	7.8	80g	3.0A	04~40
	LBD60I-DXX-XXXX	6.0	9.4	8.2	80g	3.0A	04~40
LBD65X-DXX-XXXX	LBD65A-DXX-XXXX	6.5	8.7	7.5	80g	3.0A	04~40
	LBD65E-DXX-XXXX	6.5	9.5	8.3	80g	3.0A	04~40
	LBD65G-DXX-XXXX	6.5	9.9	8.7	80g	3.0A	04~40
	LBD65I-DXX-XXXX	6.5	10.3	9.1	80g	3.0A	04~40
LBD70X-DXX-XXXX	LBD70C-DXX-XXXX	7.0	9.6	8.4	80g	3.0A	04~40
	LBD70E-DXX-XXXX	7.0	10.0	8.8	80g	3.0A	04~40
	LBD70G-DXX-XXXX	7.0	10.4	9.2	80g	3.0A	04~40
	LBD70I-DXX-XXXX	7.0	10.8	9.6	80g	3.0A	04~40

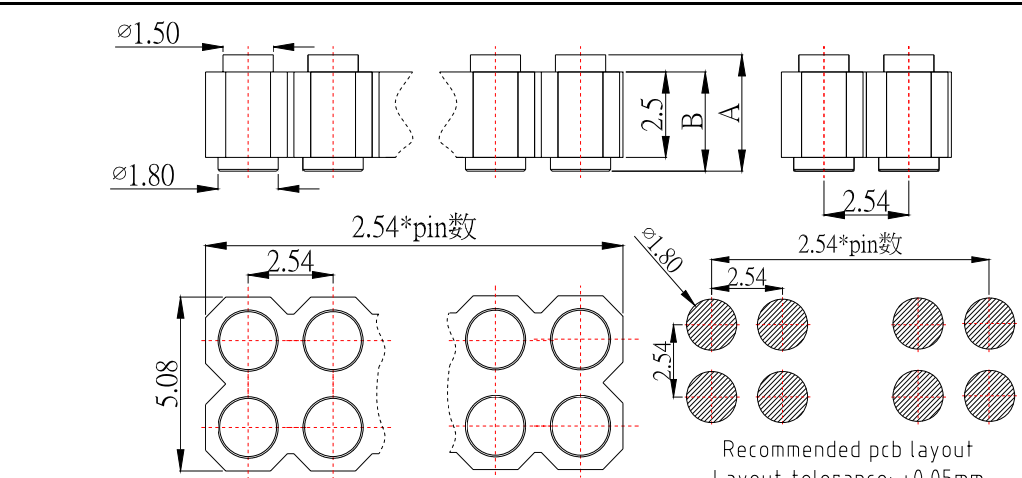
Cnomax Pogo pin Connector Standard Series Catalogue---Female Connector

母端连接器: LBS00X-AXX-XX系列



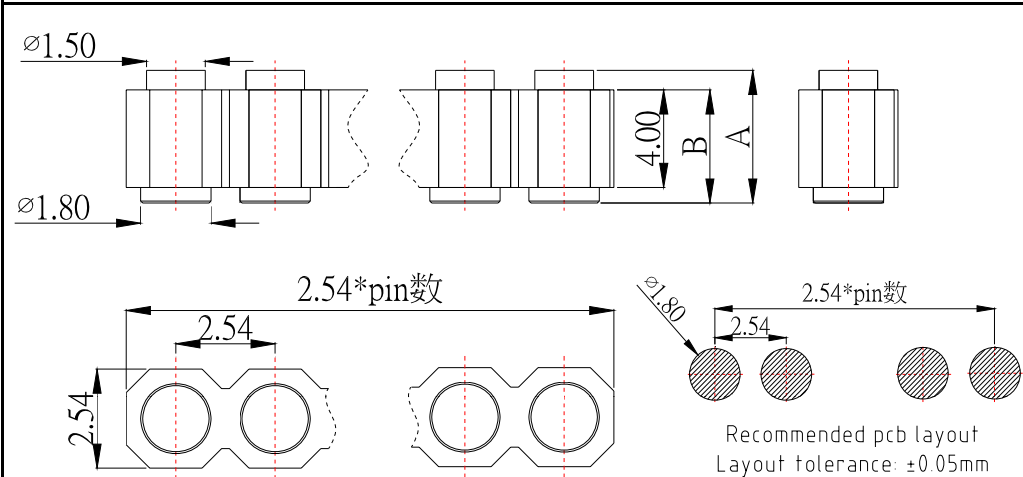
产品料号	产品高度 (A)	B尺寸	产品pin数
LBS00A-AXX-XX	3.5	3.0	01~20
LBS00B-AXX-XX	4.5	3.0	01~20

母端连接器: LBS00X-BXX-XX系列



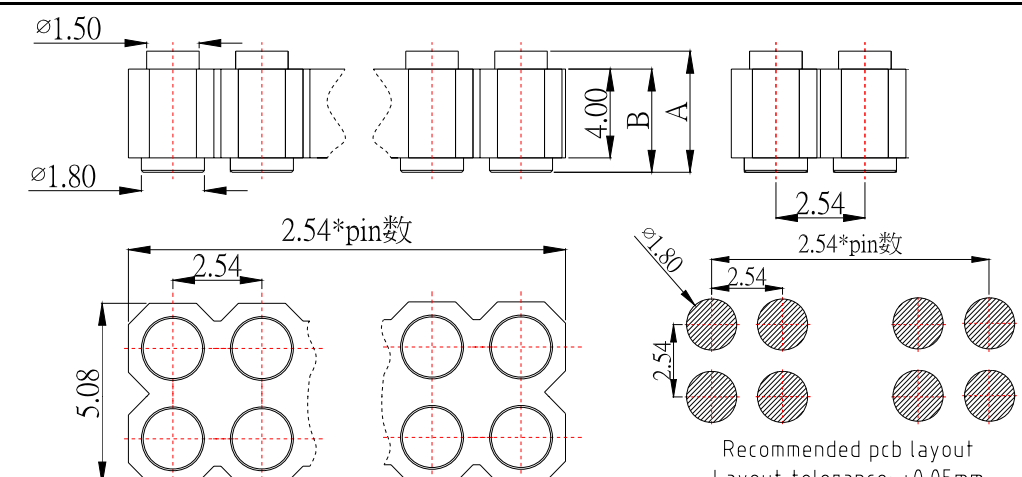
产品料号	产品高度 (A)	B尺寸	产品pin数
LBS00A-BXX-XX	3.5	3.0	04~40
LBS00B-BXX-XX	4.5	3.0	04~40

母端连接器: LBS00X-CXX-XX系列



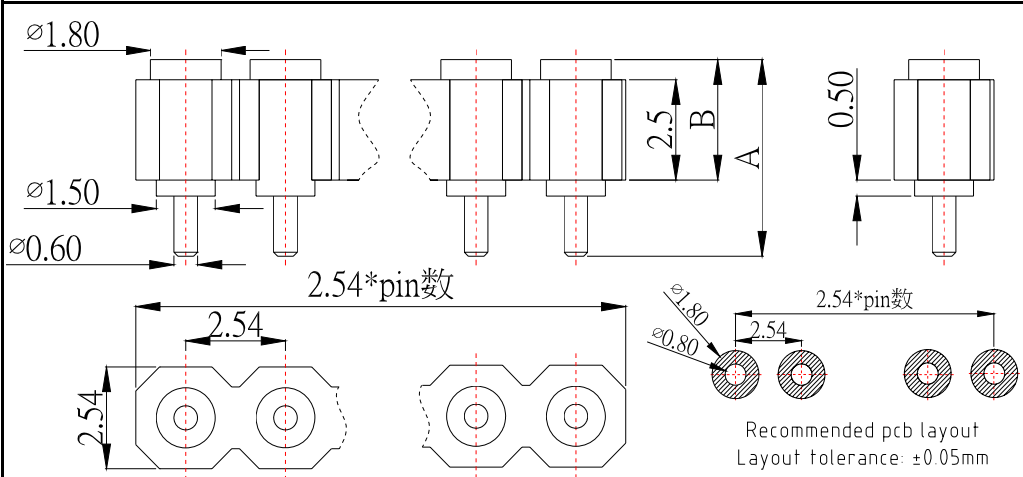
产品料号	产品高度 (A)	B尺寸	产品pin数
LBS00A-CXX-XX	5.0	4.5	01~20
LBS00B-CXX-XX	6.0	4.5	01~20

母端连接器: LBS00X-DXX-XX系列



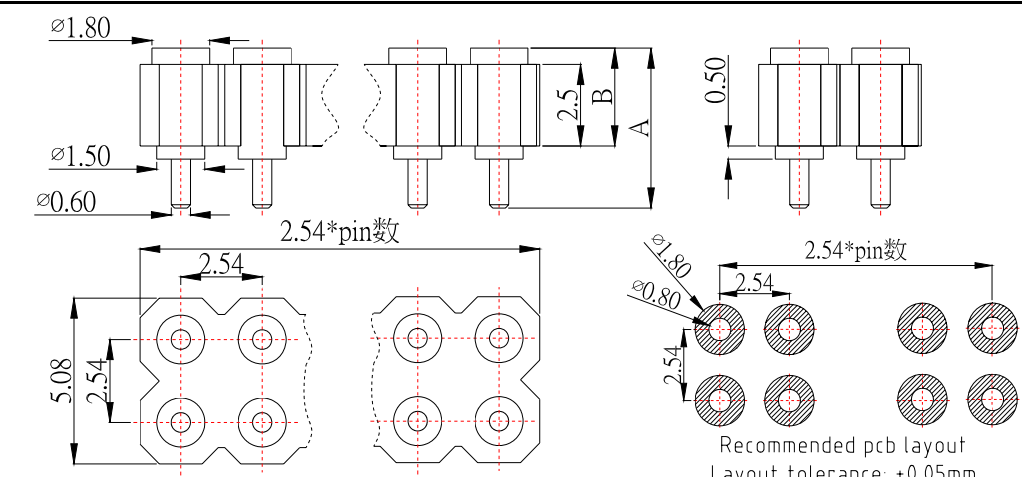
产品料号	产品高度 (A)	B尺寸	产品pin数
LBS00A-DXX-XX	5.0	4.5	04~40
LBS00B-DXX-XX	6.0	4.5	04~40

母端连接器: LBD00X-AXX-XX系列



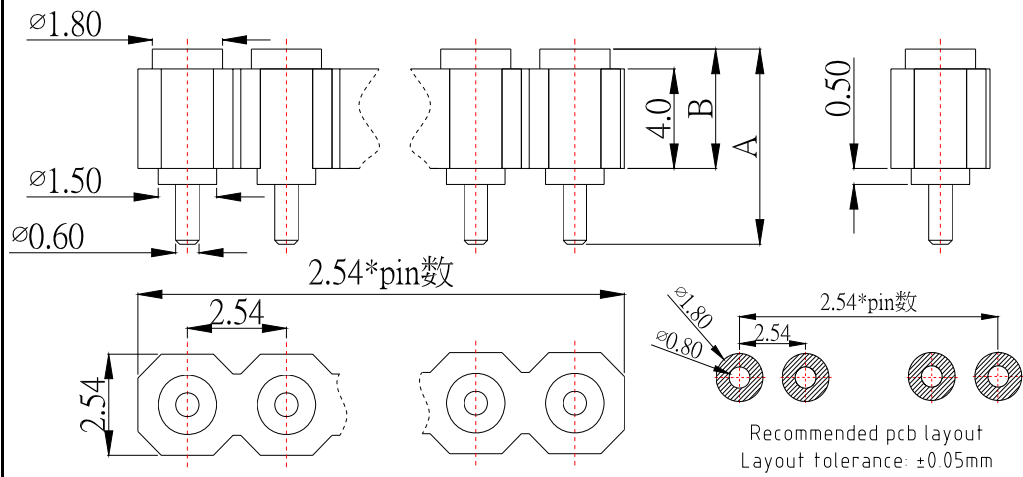
产品料号	产品高度 (A)	B尺寸	产品pin数
LBD00A-AXX-XX	5.0	3.0	01~20
LBD00B-AXX-XX	6.0	3.0	01~20

母端连接器: LBD00X-BXX-XX系列



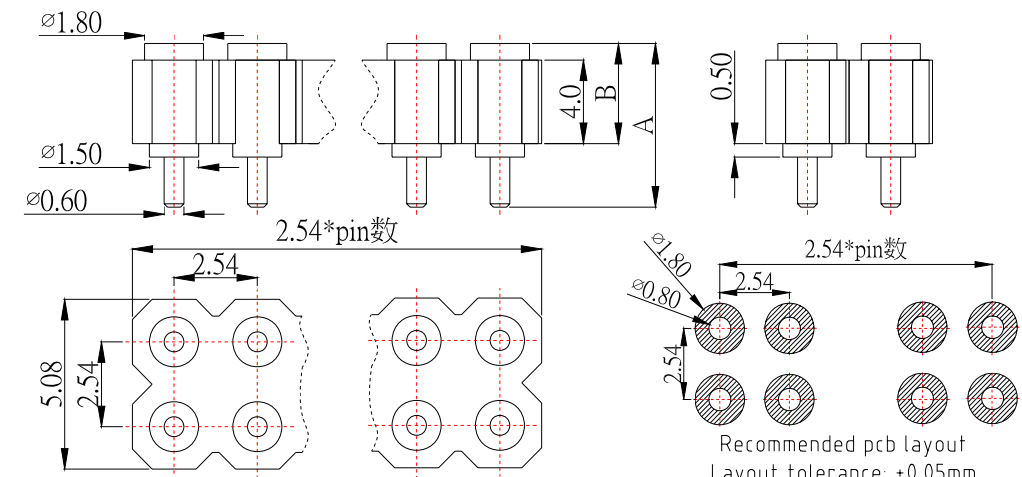
产品料号	产品高度 (A)	B尺寸	产品pin数
LBD00A-BXX-XX	5.0	3.0	04~20
LBD00B-BXX-XX	6.0	3.0	04~20

母端连接器: LBD00X-CXX-XX系列



产品料号	产品高度 (A)	B尺寸	产品pin数
LBD00A-CXX-XX	6.0	4.5	01~20
LBD00B-CXX-XX	7.0	4.5	01~20

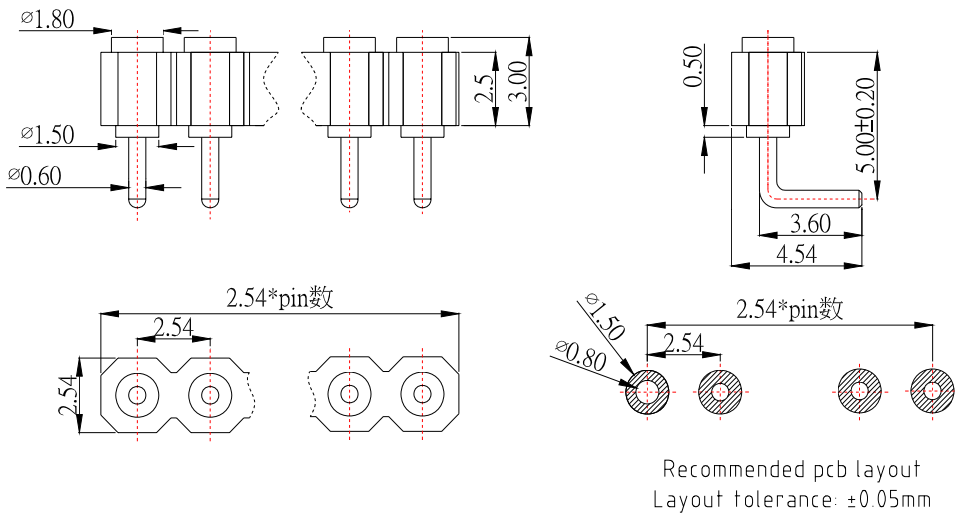
母端连接器: LBD00X-DXX-XX系列



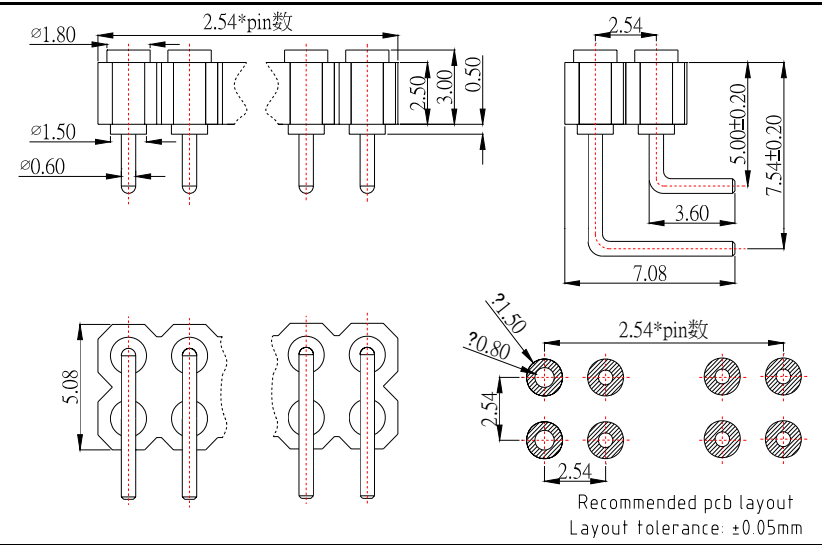
产品料号	产品高度 (A)	B尺寸	产品pin数
LBD00A-DXX-XX	6.0	4.5	04~20
LBD00B-DXX-XX	7.0	4.5	04~20

Cnomax Pogo pin Connector Standard Series Catalogue

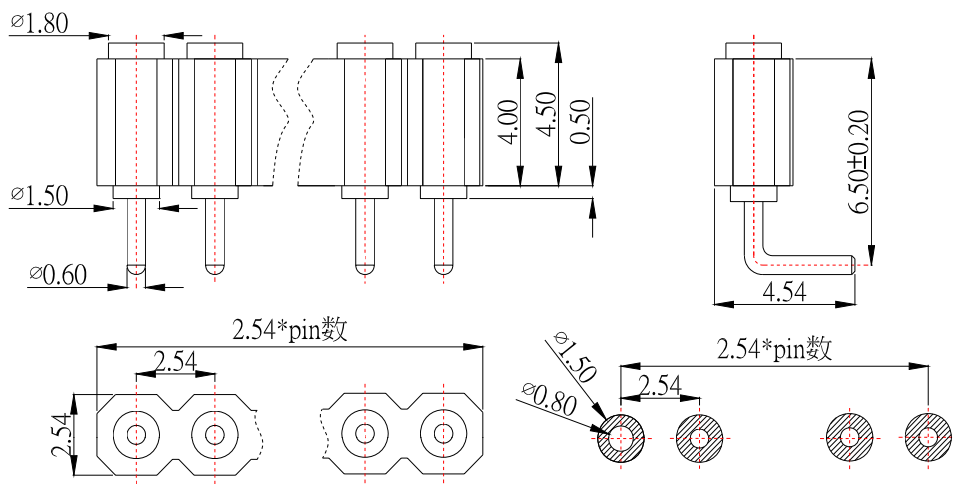
母端连接器: LBD01A-AXX-XX



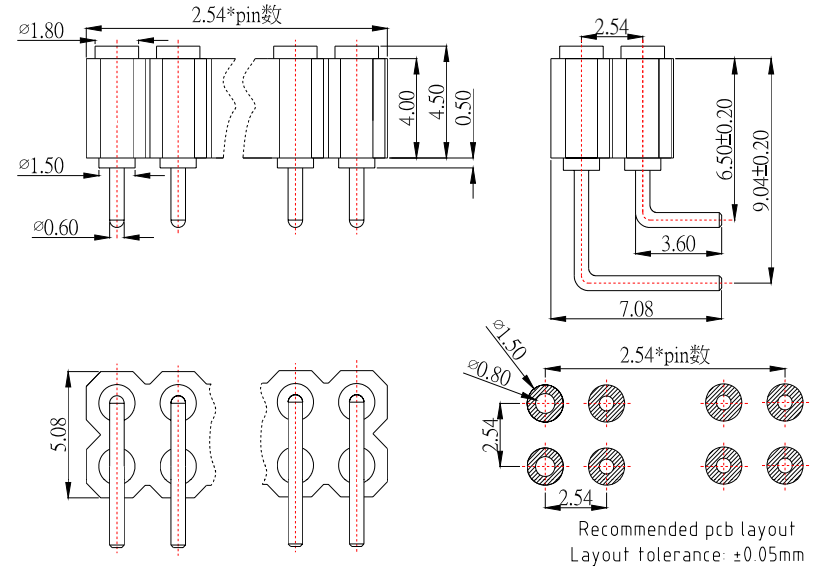
母端连接器: LBD01A-BXX-XX



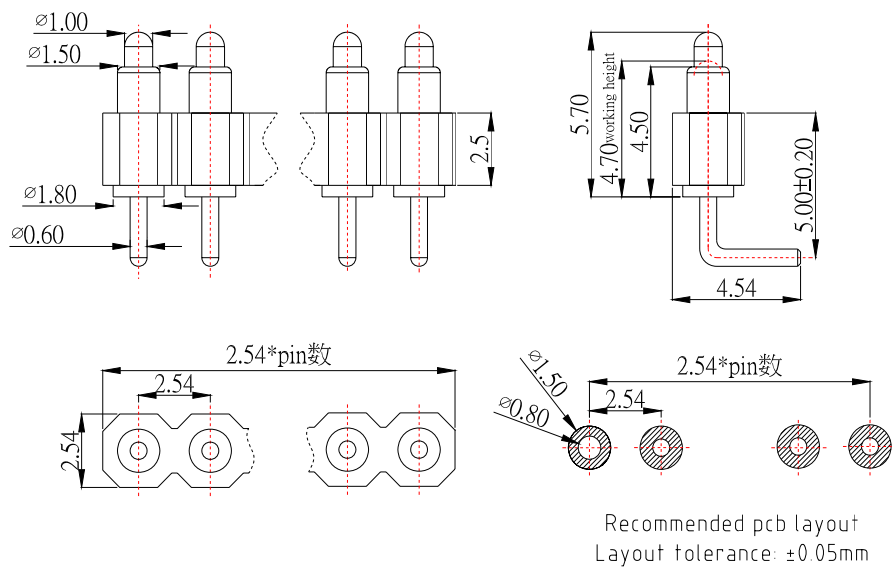
母端连接器: LBD01A-CXX-XX



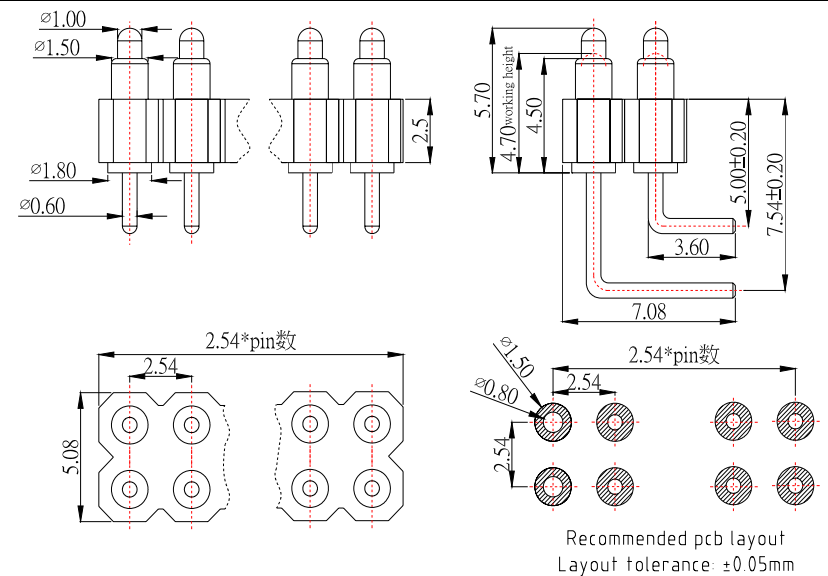
母端连接器: LBD01A-DXX-XX



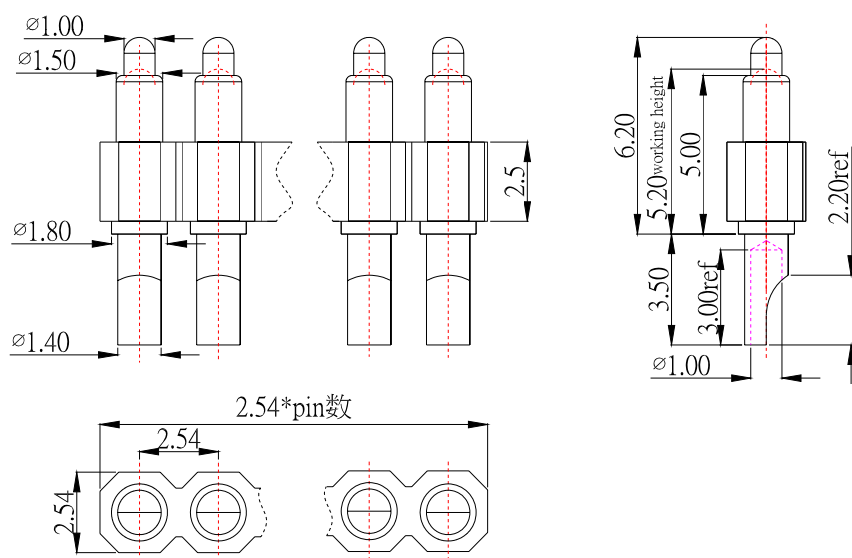
其他pogo pin连接器: LBD02A-AXX-XXXX



其他pogo pin连接器: LBD02A-BXX-XXXX



其他pogo pin连接器: LBD03A-AXX-XXXX



其他pogo pin连接器: LBD03A-BXX-XXXX

